

Steel Selection & Performance

We offer a wide selection of fine made knives for cutting nearly any type of wooden material. Our knives are made to exceed industry standard and provide trouble free long run performance even under heavy feed rates. Knives are true high grade A.I.S.I. mill run steels that are salt bath hardened and triple draw stress relieved for greater consistency. Knives are precision ground and corrugated on advanced CNC creep feed crush grinders for perfect bar to bar consistency.

Standard grades offered are:

D2-HCHC- High Carbon & High Chrome: Our D2 (AISI) knives offer the best value for many moulding producers and planer mills. It is easy to grind and resists nicks in knotty soft woods. D2 contains 12% chromium to resist chemical erosion when cutting wet cedar or redwood. Great for softwoods and shorter runs in hardwoods.

V2-HSS: High Speed Steel: V2 is our newest breed of HSS with extra Vanadium for long life. V2 offers nearly same wear life and performance as M2-HSS, but at about 25% lower cost. V2 has a 63 HRC and is easy to profile shape. Great for most long runs in soft or hardwoods.

M2-HSS: High Speed Steel: Our true grade M2-HSS (AISI) steel offers 25% longer run times than D2-HCHC grade. Great for long runs in most soft and hardwoods.

T1-HSS: High Speed Steel: Our T1 (AISI) steel offers 25% longer run times than M2-HSS. T1 is a well liked common European grade made of 18% Tungsten (W) for extra long runs and better resistance to abrasive glue lines. T1 is popular for mills that run mostly hardwoods or for softwood mills that want the ultimate in knife and cutting performance.

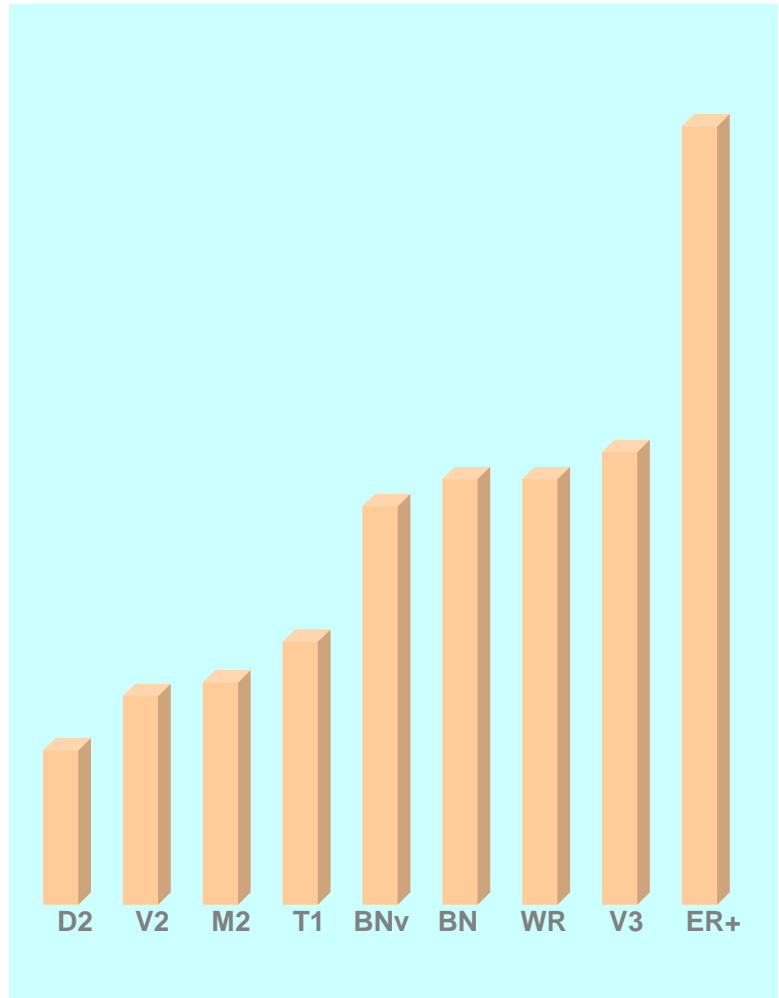
BN-HSS: BN-HSS is our premium HSS with case hardened and black oxide to resist pitch build up. BN-HSS offers up to 100% tool life increases over standard M2-HSS, without being harder to profile shape. BN-HSS features a long wearing cutting edge that is more than 72 HRC. Great for long runs and stubborn hardwoods.

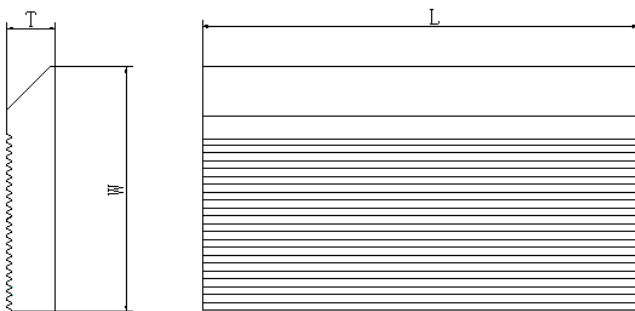
BNv-HSS: Similar to BN grade but more value added. It has the same cost with M2 grade but offers up to 80% tool life increase over standard M2-HSS.

V3-HSS: High Speed Steel: V3-HSS offers up to 100% longer tool life over M2-HSS. This super alloy steel is great for long runs or on tough hardwoods. V3-HSS is like M42/T15-HSS and wears longer than M3-HSS. V3-HSS has 66 HRC hardness which is one of the hardest HSS offered.

WR-HSS: For the ultimate value and long tool life you have to try our RW coated knives. By applying the hard long wearing coating to the face of HSS you can increase wear life 100% at a small additional cost. This line of steel is great for most hardwoods and can triple tool life in wet woods that contain tannic acids (oak, cedar, redwood).

ER+ (Endurance Super Run coated grade) : The best option for extended production time and tool life. An excellent choice for cutting problem hardwoods and for super long production runs. ER+ grade can also run some MDF to 240 linear meters before dulling. It has been proven to be one of the best choices for the top grade HSS steel in the market before you go to the carbide.





Corrugated Knives

--- HCHC and HSS steel

Application:

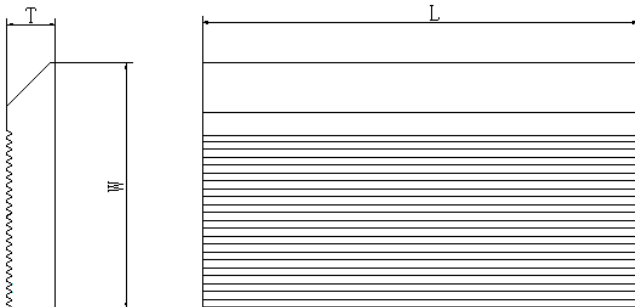
For softwood and hardwood, profiling and planing.

Features:

- True high grade A.I.S.I. mill run steels.
- Heat-treated with triple tempers for greater consistency.
- Precision ground with CNC grinding machines.
- A full line of the thicknesses and widths at the length of up to 25" or 650mm.
- Standard 16-60 ° corrugations and 16-90 ° corrugations as an option.

Size L x W x T	ID No. D2	ID No. V2	ID No. M2	ID No. T1	ID No. V3
25" x 1-1/4" x 5/32"					
25" x 1-1/2" x 5/32"					
25" x 1-3/4" x 5/32"					
25" x 1-1/2" x 3/16"	K011 01011		K011 03001	K011 04002	
25" x 1-3/4" x 3/16"	K011 01012		K011 03002	K011 04003	
25" x 2" x 3/16"	K011 01013		K011 03003	K011 04004	
25" x 1-1/4" x 1/4"	K011 01020	K011 02001	K011 03004	K011 04005	
25" x 1-1/2" x 1/4"	K011 01021	K011 02002	K011 03005	K011 04006	K011 06002
25" x 1-3/4" x 1/4"	K011 01022	K011 02003	K011 03006	K011 04007	K011 06003
25" x 2" x 1/4"	K011 01023	K011 02004	K011 03007	K011 04008	K011 06004
25" x 2-1/4" x 1/4"	K011 01024	K011 02005	K011 03008	K011 04009	
25" x 2-1/2" x 1/4"	K011 01025	K011 02006	K011 03009	K011 04010	
25" x 1-1/2" x 5/16"	K011 01042	K011 02009	K011 03012	K011 04051	K011 06009
25" x 1-3/4" x 5/16"	K011 01043	K011 02010	K011 03013	K011 04052	K011 06010
25" x 2" x 5/16"	K011 01044	K011 02011	K011 03014	K011 04053	K011 06011
25" x 2-1/4" x 5/16"	K011 01045	K011 02012	K011 03015	K011 04054	K011 06012
25" x 2-1/2" x 5/16"	K011 01046	K011 02013	K011 03016	K011 04055	K011 06013
25" x 3" x 5/16"	K011 01048	K011 02015	K011 03018	K011 04057	
25" x 3-1/4" x 5/16"	K011 01049	K011 02016	K011 03019		
25" x 3-1/2" x 5/16"	K011 01050	K011 02017	K011 03020		

Size L x W x T	ID No. D2	ID No. V2	ID No. M2	ID No. T1	ID No. V3
650x30x4			K011 03068		
650x35x4				K011 04110	
650x40x4		K011 02030	K011 03059	K011 04063	
650x35x5				K011 04101	
650x40x5				K011 04124	
650x50x5					
650x40x6		K011 02032	K011 03041	K011 04030	
650x50x6		K011 02033	K011 03042	K011 04031	
650x60x6		K011 02034	K011 03043	K011 04032	
650x40x8		K011 02026	K011 03092	K011 04034	
650x50x8		K011 02029	K011 03045	K011 04035	
650x60x8		K011 02035	K011 03046	K011 04036	
650x70x8		K011 02036	K011 03047	K011 04037	



Corrugated Knives

--- HSS steel with special treatment

Application:

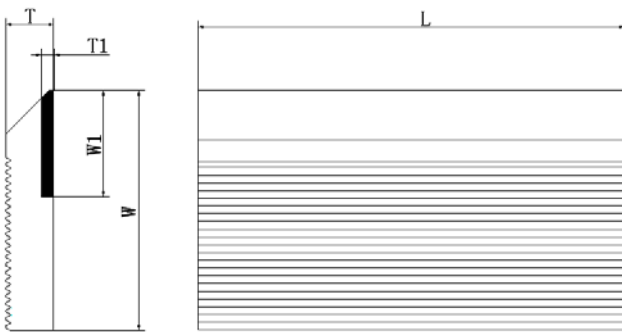
For hard wood, profiling and planing.

Features:

- For cutting problem hardwoods and super long production runs.
- Provide the ultimate value and long tool life.
- Precision ground with CNC grinding machines.
- A full line of the thicknesses and widths at the length of up to 25" or 650mm.
- Standard 16-60 ° corrugations and 16-90 ° corrugations as an option.

Size L x W x T	ID No. BNv	ID No. BN	ID No. WR	ID No. ER+	ID No.
25" x 1-1/4" x 5/32"					
25" x 1-1/2" x 5/32"					
25" x 1-3/4" x 5/32"					
25" x 1-1/2" x 3/16"		K011 05001			
25" x 1-3/4" x 3/16"		K011 05002			
25" x 2" x 3/16"		K011 05003			
25" x 1-1/4" x 1/4"		K011 05004	K011 12010		
25" x 1-1/2" x 1/4"	K011 18027	K011 05005	K011 12011		
25" x 1-3/4" x 1/4"	K011 18013	K011 05006	K011 12012		
25" x 2" x 1/4"	K011 18014	K011 05007	K011 12013		
25" x 2-1/4" x 1/4"	K011 18028	K011 05008	K011 12014		
25" x 2-1/2" x 1/4"		K011 05009	K011 12015		
25" x 1-1/2" x 5/16"	K011 18009	K011 05012	K011 12018	K011 21017	
25" x 1-3/4" x 5/16"	K011 18010	K011 05013	K011 12019	K011 21018	
25" x 2" x 5/16"	K011 18011	K011 05014	K011 12020	K011 21019	
25" x 2-1/4" x 5/16"	K011 18015	K011 05015	K011 12021	K011 21020	
25" x 2-1/2" x 5/16"	K011 18012	K011 05016	K011 12022		
25" x 3" x 5/16"	K011 18016	K011 05018	K011 12024		
25" x 3-1/4" x 5/16"		K011 05019			
25" x 3-1/2" x 5/16"		K011 05020			

Size L x W x T	ID No. BNv	ID No. BN	ID No. WR	ID No. ER+	ID No.
650x30x4		K011 05028			
650x35x4					
650x40x4	K011 18001	K011 05029			
650x35x5					
650x40x5					
650x50x5					
650x40x6	K011 18003	K011 05021			
650x50x6	K011 18004	K011 05022			
650x60x6	K011 18005	K011 05023			
650x40x8	K011 18006	K011 05024		*	
650x50x8	K011 18007	K011 05025		K011 21025	
650x60x8	K011 18008	K011 05026		K011 21026	
650x70x8		K011 05027			



Corrugated Knives

--- Carbide inlay (TCT)

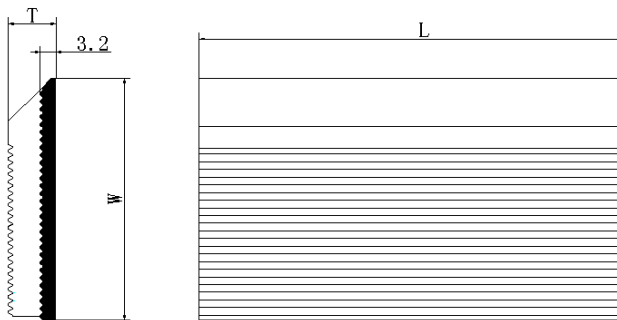
Application:

For hardwood, long run surfacing and MDF profiles.

Features:

- For cutting problem hardwoods and super long production runs.
- Provide the ultimate value and long tool life.
- Precision ground with CNC grinding machines.
- A full line of the thicknesses and widths at the length of up to 25" or 650mm.
- Standard 16-60 ° corrugations and 16-90 ° corrugations as an option.

Size L x W x T	ID No. TCT/10x1	ID No. TCT/15x1	ID No. TCT/15x1.5	ID No. TCT/20x1.5	ID No. TCT/25x1.5	ID No. TCT/35x2
25" x 1-1/4" x 3/16"	*					
25" x 1-1/2" x 3/16"	K011 08001	K011 08077	K011 08060			
25" x 1-1/4" x 1/4"	K011 08002					
25" x 1-1/2" x 1/4"		K011 08081	K011 08004			
25" x 1-3/4" x 1/4"				K011 08070	K011 08006	
25" x 2" x 1/4"					K011 08008	
25" x 1-1/2" x 5/16"			K011 08020			
25" x 1-3/4" x 5/16"		K011 08073	K011 08021	K011 08022	K011 08023	
25" x 2" x 5/16"					K011 08024	
25" x 60mm x 5/16"						K011 08056
650x30x5	*					
650x40x5			*			
650x40x6			K011 08057			
650x50x6					*	
650x40x8			K011 08096			
650x50x8					K011 08136	
650x60x8						*
650x60x10						K011 08141



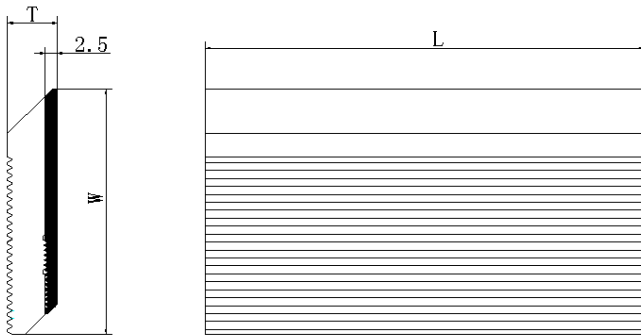
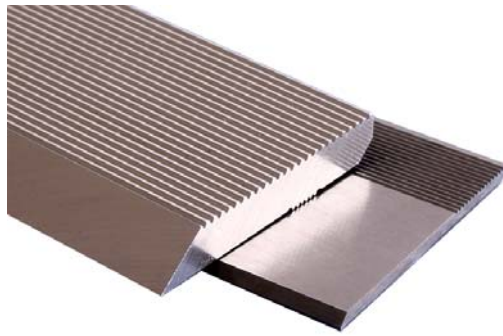
Corrug-Lock is a high precision carbide moulder knives system for millwork manufactures who cut glue lines, hardwoods, and MDF. The carbide knife locks up on a corrugated High Speed Steel backing support plate as it is resharpened. Polished to mirror finish, our micro grain carbide knives offer finer material wood finishes and longer production runs. Knife-Lock knives are compatible with your existing backing plates.

Corrug-Lock knives and backing plates are CNC ground on the latest crush grinders for greater accuracy, precise index locking & closer balance tolerances from knife to knife.

Size L x W x T	ID No. Set	ID No. Carbide	ID No. Backing Plate
20 x 38 x 10	K021 01001	K021 02001	K021 03001
30 x 38 x 10	K021 01004	K021 02004	K021 03004
40 x 38 x 10	K021 01005	K021 02005	K021 03005
50 x 38 x 10	K021 01006	K021 02006	K021 03006
60 x 38 x 10	K021 01007	K021 02007	K021 03007
70 x 38 x 10	K021 01008	K021 02008	K021 03008
80 x 38 x 10	K021 01009	K021 02009	K021 03009
90 x 38 x 10	K021 01010	K021 02010	K021 03010
100 x 38 x 10	K021 01011	K021 02011	K021 03011
110 x 38 x 10	K021 01012	K021 02012	K021 03012
120 x 38 x 10	K021 01013	K021 02013	K021 03013
130 x 38 x 10	K021 01014	K021 02014	K021 03014
140 x 38 x 10	K021 01015	K021 02015	K021 03015
150 x 38 x 10	K021 01016	K021 02016	K021 03016
160 x 38 x 10	K021 01017	K021 02017	K021 03017
170 x 38 x 10	K021 01018	K021 02018	K021 03018
180 x 38 x 10	K021 01019	K021 02019	K021 03019
190 x 38 x 10	K021 01020	K021 02020	K021 03020
200 x 38 x 10	K021 01021	K021 02021	K021 03021
210 x 38 x 10	K021 01022	K021 02022	K021 03022
220 x 38 x 10	K021 01023	K021 02023	K021 03023

Size L x W x T	ID No. Set	ID No. Carbide	ID No. Backing Plate
230 x 38 x 10	K021 01024	K021 02024	K021 03024
240 x 38 x 10	K021 01025	K021 02025	K021 03025
250 x 38 x 10	K021 01026	K021 02026	K021 03026
310 x 38 x 10	K021 01027	K021 02027	K021 03027
20 x 50 x 10	K021 01028	K021 02028	K021 03028
30 x 50 x 10	K021 01031	K021 02031	K021 03031
40 x 50 x 10	K021 01032	K021 02032	K021 03032
50 x 50 x 10	K021 01033	K021 02033	K021 03033
60 x 50 x 10	K021 01034	K021 02034	K021 03034
70 x 50 x 10	K021 01035	K021 02035	K021 03035
80 x 50 x 10	K021 01036	K021 02036	K021 03036
90 x 50 x 10	K021 01037	K021 02037	K021 03037
100 x 50 x 10	K021 01038	K021 02038	K021 03038
110 x 50 x 10	K021 01039	K021 02039	K021 03039
120 x 50 x 10	K021 01040	K021 02040	K021 03040
130 x 50 x 10	K021 01041	K021 02041	K021 03041
140 x 50 x 10	K021 01042	K021 02042	K021 03042
150 x 50 x 10	K021 01043	K021 02043	K021 03043
160 x 50 x 10	K021 01044	K021 02044	K021 03044
170 x 50 x 10	K021 01045	K021 02045	K021 03045
180 x 50 x 10	K021 01046	K021 02046	K021 03046
190 x 50 x 10	K021 01047	K021 02047	K021 03047
200 x 50 x 10	K021 01048	K021 02048	K021 03048
210 x 50 x 10	K021 01049	K021 02049	K021 03049
220 x 50 x 10	K021 01050	K021 02050	K021 03050
230 x 50 x 10	K021 01051	K021 02051	K021 03051
240 x 50 x 10	K021 01052	K021 02052	K021 03052
250 x 50 x 10	K021 01053	K021 02053	K021 03053
310 x 50 x 10	K021 01054	K021 02054	K021 03054
20 x 60 x 10	K021 01055	K021 02055	K021 03055
30 x 60 x 10	K021 01058	K021 02058	K021 03058
40 x 60 x 10	K021 01059	K021 02059	K021 03059
50 x 60 x 10	K021 01060	K021 02060	K021 03060
60 x 60 x 10	K021 01061	K021 02061	K021 03061
70 x 60 x 10	K021 01062	K021 02062	K021 03062
80 x 60 x 10	K021 01063	K021 02063	K021 03063
90 x 60 x 10	K021 01064	K021 02064	K021 03064
100 x 60 x 10	K021 01065	K021 02065	K021 03065
110 x 60 x 10	K021 01066	K021 02066	K021 03066

Size L x W x T	ID No. Set	ID No. Carbide	ID No. Backing Plate
120 x 60 x 10	K021 01067	K021 02067	K021 03067
130 x 60 x 10	K021 01068	K021 02068	K021 03068
140 x 60 x 10	K021 01069	K021 02069	K021 03069
150 x 60 x 10	K021 01070	K021 02070	K021 03070
160 x 60 x 10	K021 01071	K021 02071	K021 03071
170 x 60 x 10	K021 01072	K021 02072	K021 03072
180 x 60 x 10	K021 01073	K021 02073	K021 03073
190 x 60 x 10	K021 01074	K021 02074	K021 03074
200 x 60 x 10	K021 01075	K021 02075	K021 03075
210 x 60 x 10	K021 01076	K021 02076	K021 03076
220 x 60 x 10	K021 01077	K021 02077	K021 03077
230 x 60 x 10	K021 01078	K021 02078	K021 03078
240 x 60 x 10	K021 01079	K021 02079	K021 03079
250 x 60 x 10	K021 01080	K021 02080	K021 03080
310 x 60 x 10	K021 01081	K021 02081	K021 03081
20 x 70 x 10	K021 01109	K021 02109	K021 03109
30 x 70 x 10	K021 01112	K021 02112	K021 03112
40 x 70 x 10	K021 01113	K021 02113	K021 03113
50 x 70 x 10	K021 01114	K021 02114	K021 03114
60 x 70 x 10	K021 01115	K021 02115	K021 03115
70 x 70 x 10	K021 01116	K021 02116	K021 03116
80 x 70 x 10	K021 01117	K021 02117	K021 03117
90 x 70 x 10	K021 01118	K021 02118	K021 03118
100 x 70 x 10	K021 01119	K021 02119	K021 03119
110 x 70 x 10	K021 01120	K021 02120	K021 03120
120 x 70 x 10	K021 01121	K021 02121	K021 03121
130 x 70 x 10	K021 01122	K021 02122	K021 03122
140 x 70 x 10	K021 01123	K021 02123	K021 03123
150 x 70 x 10	K021 01124	K021 02124	K021 03124
160 x 70 x 10	K021 01025	K021 02125	K021 03125
170 x 70 x 10	K021 01026	K021 02126	K021 03126
180 x 70 x 10	K021 01127	K021 02127	K021 03127
190 x 70 x 10	K021 01128	K021 02128	K021 03128
200 x 70 x 10	K021 01129	K021 02129	K021 03129
210 x 70 x 10	K021 01130	K021 02130	K021 03130
220 x 70 x 10	K021 01131	K021 02131	K021 03131
230 x 70 x 10	K021 01132	K021 02132	K021 03132
240 x 70 x 10	K021 01133	K021 02133	K021 03133
250 x 70 x 10	K021 01134	K021 02134	K021 03134
310 x 70 x 10	K021 01135	K021 02135	K021 03135



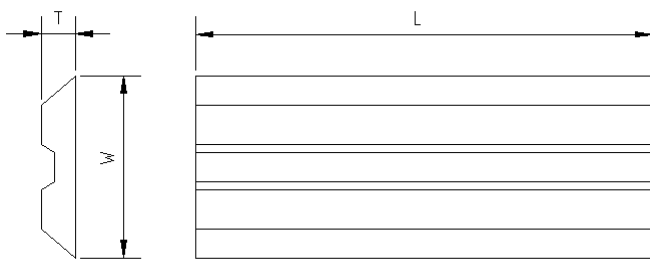
The ultimate carbide moulder knives system for high production millworks who cut glue lines, hardwoods, and MDF. Euro-Lock knives are compatible with your existing backing plates. Advantages over the competition include the use of the super strong micro-grain carbide for longer production runs and our backing plates are the only ones made from high speed steel for greater carbide support.

Euro-Lock knives and backing plates are CNC ground on the latest crush grinders for greater accuracy, precise index locking & closer balance tolerances with polished knife faces to mirror finish to improve the edge sharpness that results in finer material finishes in MDF.

Size L x W x T	ID No. Set	ID No. Carbide	ID No. Backing Plate
40 x 38 x 10	K022 01005	K022 02005	K022 03005
50 x 38 x 10	K022 01006	K022 02006	K022 03006
60 x 38 x 10	K022 01007	K022 02007	K022 03007
80 x 38 x 10	K022 01009	K022 02009	K022 03009
100 x 38 x 10	K022 01011	K022 02011	K022 03011
130 x 38 x 10	K022 01014	K022 02014	K022 03014
150 x 38 x 10	K022 01016	K022 02016	K022 03016
180 x 38 x 10	K022 01019	K022 02019	K022 03019
200 x 38 x 10	K022 01021	K022 02021	K022 03021
210 x 38 x 10	K022 01022	K022 02022	K022 03022
230 x 38 x 10	K022 01024	K022 02024	K022 03024
300 x 38 x 10	K022 01027	K022 02027	K022 03027
40 x 50 x 10	K022 01032	K022 02033	K022 03033
50 x 50 x 10	K022 01033	K022 02034	K022 02034
60 x 50 x 10	K022 01034	K022 02035	K022 03035
80 x 50 x 10	K022 01036	K022 02037	K022 03037
100 x 50 x 10	K022 01038	K022 02039	K022 03039
130 x 50 x 10	K022 01041	K022 02042	K022 03042
150 x 50 x 10	K022 01043	K022 02044	K022 03044
180 x 50 x 10	K022 01046	K022 02047	K022 03047

Size L x W x T	ID No. Set	ID No. Carbide	ID No. Backing Plate
200 x 50 x 10	K022 01048	K022 02049	K022 03049
210 x 50 x 10	K022 01049	K022 02050	K022 03050
230 x 50 x 10	K022 01051	K022 02052	K022 03052
300 x 50 x 10	K022 01054	K022 02055	K022 03055
40 x 60 x 10	K022 01059	K022 02061	K022 03061
50 x 60 x 10	K022 01060	K022 02062	K022 03062
60 x 60 x 10	K022 01061	K022 02063	K022 03063
80 x 60 x 10	K022 01063	K022 02065	K022 03065
100 x 60 x 10	K022 01065	K022 02067	K022 03067
130 x 60 x 10	K022 01068	K022 02070	K022 03070
150 x 60 x 10	K022 01070	K022 02072	K022 03072
180 x 60 x 10	K022 01073	K022 02075	K022 03075
200 x 60 x 10	K022 01075	K022 02077	K022 03077
210 x 60 x 10	K022 01076	K022 02078	K022 03078
230 x 60 x 10	K022 01078	K022 02080	K022 03080
300 x 60 x 10	K022 01081	K022 02083	K022 03083
40 x 70 x 10	K022 01084	K022 02086	K022 03088
50 x 70 x 10	K022 01085	K022 02087	K022 03089
60 x 70 x 10	K022 01086	K022 02088	K022 03090
80 x 70 x 10	K022 01088	K022 02090	K022 03092
100 x 70 x 10	K022 01090	K022 02092	K022 03094
130 x 70 x 10	K022 01093	K022 02095	K022 03097
150 x 70 x 10	K022 01095	K022 02097	K022 03099
180 x 70 x 10	K022 01098	K022 02100	K022 03102
200 x 70 x 10	K022 01100	K022 02102	K022 03104
210 x 70 x 10	K022 01101	K022 02103	K022 03105
230 x 70 x 10	K022 01103	K022 02105	K022 03107
300 x 70 x 10	K022 01105	K022 02107	K022 03109

Other sizes are available on request.



Quick-Knives (DC)

--- fit with Centro-lock style cutterheads

Application:

For Planing of soft and hard wood.

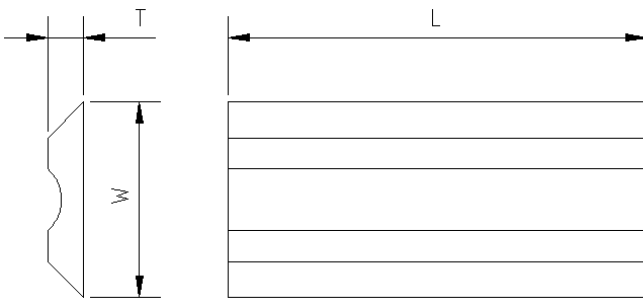
Features:

- Two cutting edges in reversible design.
- Precision ground with CNC grinding machines.
- Compatible with your existing cutterheads.
- Offered in both HSS and micro-grain carbide grades.
- The length up to 700 mm for the HSS and 600mm for the carbide.

Size L x W x T	ID No.	ID No.
	T1 HSS	Carbide
50 x 16 x 3	K052 04001	K052 09001
60 x 16 x 3	K052 04002	K052 09002
80 x 16 x 3	K052 04004	K052 09004
100 x 16 x 3	K052 04006	K052 09006
120 x 16 x 3	K052 04008	K052 09008
130 x 16 x 3	K052 04010	K052 09009
140 x 16 x 3	K052 04011	K052 09010
150 x 16 x 3	K052 04012	K052 09011
160 x 16 x 3	K052 04013	K052 09012
170 x 16 x 3	K052 04014	K052 09013
180 x 16 x 3	K052 04015	K052 09014
190 x 16 x 3	K052 04016	K052 09015
200 x 16 x 3	K052 04017	K052 09016
220 x 16 x 3	K052 04019	K052 09018
230 x 16 x 3	K052 04020	K052 09019
240 x 16 x 3	K052 04021	K052 09020
250 x 16 x 3	K052 04043	K052 09027
260 x 16 x 3	K052 04042	K052 09028
270 x 16 x 3	K052 04022	K052 09021
280 x 16 x 3	K052 04044	K052 09029
300 x 16 x 3	K052 04023	K052 09026

Size L x W x T	ID No. T1 HSS	ID No. Carbide
310 x 16 x 3	K052 04025	K052 09024
460 x 16 x 3	K052 04041	K052 09023
600 x 16 x 3	K052 04045	K052 09030
700 x 16 x 3	K052 04039	

Other sizes are available on request.



Quick-Knives (DT)

--- fit with Terminus style cutterheads

Application:

For Planing of soft and hard wood.

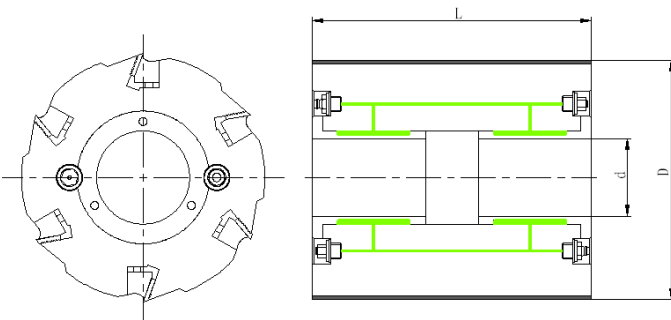
Features:

- Two cutting edges in reversible design.
- Precision ground with CNC grinding machines.
- Compatible with your existing cutterheads.
- Offered in both HSS and micro-grain carbide grades.
- The length up to 700 mm for the HSS and 600mm for the carbide.

Size L x W x T	ID No.	ID No.
	T1 HSS	Carbide
50 x 14 x 2.55	K051 04002	K051 09001
60 x 14 x 2.55	K051 04003	K051 09002
80 x 14 x 2.55	K051 04006	K051 09004
100 x 14 x 2.55	K051 04009	K051 09006
110 x 14 x 2.55	K051 04010	K051 09007
120 x 14 x 2.55	K051 04011	K051 09008
130 x 14 x 2.55	K051 04012	K051 09009
140 x 14 x 2.55	K051 04013	K051 09010
150 x 14 x 2.55	K051 01014	K051 09011
160 x 14 x 2.55	K051 04015	K051 09012
170 x 14 x 2.55	K051 04016	K051 09013
180 x 14 x 2.55	K051 04017	K051 09014
190 x 14 x 2.55	K051 04018	K051 09015
210 x 14 x 2.55	K051 04020	K051 09017
220 x 14 x 2.55	K051 04021	K051 09018
230 x 14 x 2.55	K051 04023	K051 09019
240 x 14 x 2.55	K051 04024	K051 09020
250 x 14 x 2.55	K051 04056	K051 09028
260 x 14 x 2.55	K051 04057	K051 09029
270 x 14 x 2.55	K051 04026	K051 09021
280 x 14 x 2.55	K051 04061	K051 09030

Size L x W x T	ID No. T1 HSS	ID No. Carbide
300 x 14 x 2.55	K051 04029	K051 09022
310 x 14 x 2.55	K051 04032	K051 09026
350 x 14 x 2.55	K051 04062	K051 09031
360 x 14 x 2.55	K051 04063	K051 09032
400 x 14 x 2.55	K051 04058	K051 09033
410 x 14 x 2.55	K051 04055	K051 09034
420 x 14 x 2.55	K051 04051	K051 09035
430 x 14 x 2.55	K051 04064	K051 09036
450 x 14 x 2.55	K051 04065	K051 09037
500 x 14 x 2.55	K051 04066	K051 09038
510 x 14 x 2.55	K051 04060	
520 x 14 x 2.55	K051 04040	K051 09040
530 x 14 x 2.55	K051 04067	
600 x 14 x 2.55	K051 04041	K051 09025
610 x 14 x 2.55	K051 04068	
630 x 14 x 2.55	K051 04045	
640 x 14 x 2.55	K051 04047	
700 x 14 x 2.55	K051 04050	

Other sizes are available on request.



Superhelic Cutter Heads

--- Hydro-Lock Bore

Application:

For surfacing and planing of solid woods which demand a superior finishing surface.

Features:

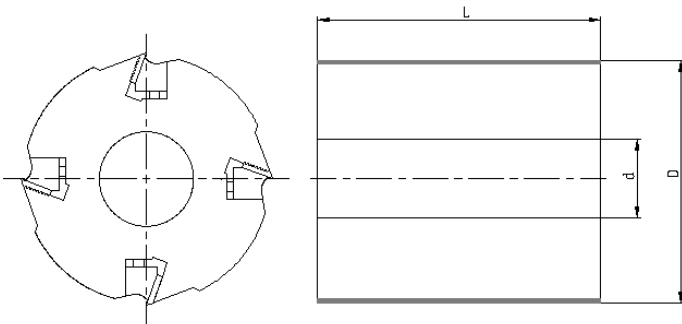
- Innovative design (patented).
- Replaceable non-segmented corrugated back twisted carbide blade.
- One continuous smooth sharing cutting without interruption.
- Reduce tear-outs in hardwoods, cross-grained and knotty material greatly.
- Significant noise, downtime and spindle bearing wear reduction.
- Working Pressure: 300 – 350 bars
- Max Pressure: 400 bars

Supply without knives.

ID No.	D	L	d	Z	N Max
H082 02031	125	60	1-1/2"	2	8000
H082 02032	125	100	1-1/2"	2	8000
H082 02033	125	130	1-1/2"	2	8000
H082 02034	125	150	1-1/2"	2	8000
H082 02035	125	180	1-1/2"	2	8000
H082 02036	125	230	1-1/2"	2	8000
H082 02041	125	60	40	2	8000
H082 02042	125	100	40	2	8000
H082 02043	125	130	40	2	8000
H082 02044	125	150	40	2	8000
H082 02045	125	180	40	2	8000
H082 02046	125	230	40	2	8000
H082 02001	125	60	1-1/2"	4	8000
H082 02002	125	100	1-1/2"	4	8000
H082 02003	125	130	1-1/2"	4	8000
H082 02004	125	150	1-1/2"	4	8000
H082 02005	125	180	1-1/2"	4	8000
H082 02006	125	230	1-1/2"	4	8000

ID No.	D	L	d	Z	N Max
H082 02011	125	60	40	4	8000
H082 02012	125	100	40	4	8000
H082 02013	125	130	40	4	8000
H082 02014	125	150	40	4	8000
H082 02015	125	180	40	4	8000
H082 02016	125	230	40	4	8000
H082 06011	160	60	1-13/16"	4	8000
H082 06012	160	100	1-13/16"	4	8000
H082 06013	160	130	1-13/16"	4	8000
H082 06014	160	150	1-13/16"	4	8000
H082 06015	160	180	1-13/16"	4	8000
H082 06016	160	230	1-13/16"	4	8000
H082 06019	160	310	1-13/16"	4	8000
H082 06021	160	60	50	4	8000
H082 06022	160	100	50	4	8000
H082 06023	160	130	50	4	8000
H082 06024	160	150	50	4	8000
H082 06025	160	180	50	4	8000
H082 06026	160	230	50	4	8000
H082 06029	160	310	50	4	8000
H082 06031	160	60	2-18"	4	8000
H082 06032	160	100	2-18"	4	8000
H082 06033	160	130	2-18"	4	8000
H082 06034	160	150	2-18"	4	8000
H082 06035	160	180	2-18"	4	8000
H082 06036	160	230	2-18"	4	8000
H082 06039	160	310	2-18"	4	8000
H082 06041	160	60	1-13/16"	6	8000
H082 06042	160	100	1-13/16"	6	8000
H082 06043	160	130	1-13/16"	6	8000
H082 06044	160	150	1-13/16"	6	8000
H082 06045	160	180	1-13/16"	6	8000
H082 06046	160	230	1-13/16"	6	8000
H082 06049	160	310	1-13/16"	6	8000
H082 06051	160	60	50	6	8000
H082 06052	160	100	50	6	8000

ID No.	D	L	d	Z	N Max
H082 06053	160	130	50	6	8000
H082 06054	160	150	50	6	8000
H082 06055	160	180	50	6	8000
H082 06056	160	230	50	6	8000
H082 06059	160	310	50	6	8000
H082 06061	160	60	2-18"	6	8000
H082 06062	160	100	2-18"	6	8000
H082 06063	160	130	2-18"	6	8000
H082 06064	160	150	2-18"	6	8000
H082 06065	160	180	2-18"	6	8000
H082 06066	160	230	2-18"	6	8000
H082 06069	160	310	2-18"	6	8000
H082 06071	160	60	1-13/16"	8	8000
H082 06072	160	100	1-13/16"	8	8000
H082 06073	160	130	1-13/16"	8	8000
H082 06074	160	150	1-13/16"	8	8000
H082 06075	160	180	1-13/16"	8	8000
H082 06076	160	230	1-13/16"	8	8000
H082 06079	160	310	1-13/16"	8	8000
H082 06081	160	60	50	8	8000
H082 06082	160	100	50	8	8000
H082 06083	160	130	50	8	8000
H082 06084	160	150	50	8	8000
H082 06085	160	180	50	8	8000
H082 06086	160	230	50	8	8000
H082 06089	160	310	50	8	8000
H082 06091	160	60	2-18"	8	8000
H082 06092	160	100	2-18"	8	8000
H082 06093	160	130	2-18"	8	8000
H082 06094	160	150	2-18"	8	8000
H082 06095	160	180	2-18"	8	8000
H082 06096	160	230	2-18"	8	8000
H082 06099	160	310	2-18"	8	8000



Superhelic Cutter Heads

--- Straight Bore

Application:

For surfacing and planing of solid woods which demand a superior finishing surface.

Features:

- Innovative design (patented).
- Replaceable non-segmented corrugated back twisted carbide blade.
- One continues smooth sharing cutting without interruption.
- Reduce tear-outs in hardwoods, cross-grained and knotty material greatly.
- Significant noise, downtime and spindle bearing wear reduction.

Supply without knives.

ID No.	D	L	d	Z	N Max
H081 02031	125	60	1-1/2"	2	9000
H081 02032	125	100	1-1/2"	2	9000
H081 02033	125	130	1-1/2"	2	9000
H081 02034	125	150	1-1/2"	2	9000
H081 02035	125	180	1-1/2"	2	9000
H081 02036	125	230	1-1/2"	2	9000
H081 02051	125	60	1-1/2"	3	9000
H081 02052	125	100	1-1/2"	3	9000
H081 02053	125	130	1-1/2"	3	9000
H081 02054	125	150	1-1/2"	3	9000
H081 02055	125	180	1-1/2"	3	9000
H081 02056	125	230	1-1/2"	3	9000
H081 02001	125	60	1-1/2"	4	9000
H081 02002	125	100	1-1/2"	4	9000
H081 02003	125	130	1-1/2"	4	9000
H081 02004	125	150	1-1/2"	4	9000
H081 02005	125	180	1-1/2"	4	9000
H081 02006	125	230	1-1/2"	4	9000

ID No.	D	L	d	Z	N Max
H081 02041	125	60	40	2	9000
H081 02042	125	100	40	2	9000
H081 02043	125	130	40	2	9000
H081 02044	125	150	40	2	9000
H081 02045	125	180	40	2	9000
H081 02046	125	230	40	2	9000
H081 02061	125	60	40	3	9000
H081 02062	125	100	40	3	9000
H081 02063	125	130	40	3	9000
H081 02064	125	150	40	3	9000
H081 02065	125	180	40	3	9000
H081 02066	125	230	40	3	9000
H081 02011	125	60	40	4	9000
H081 02012	125	100	40	4	9000
H081 02013	125	130	40	4	9000
H081 02014	125	150	40	4	9000
H081 02015	125	180	40	4	9000
H081 02016	125	230	40	4	9000

ID No.	Type
G901 09008	M10x1 Inlet Zerk
G901 09009	M10x1 Release Valve





Superhelic Knives

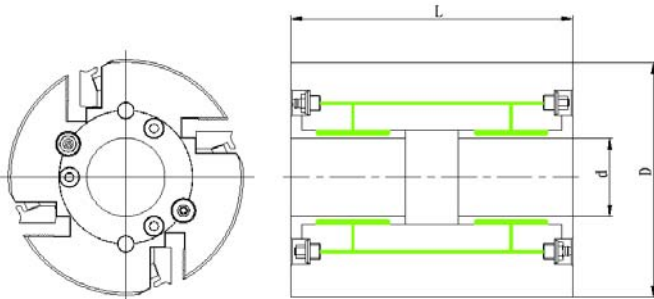
Application:

For surfacing and planing of solid woods which demand a superior finishing surface.

Features:

- Innovative design (patented).
- Replaceable non-segmented corrugated back twisted carbide blade.
- One continuous smooth shoring cutting without interruption.
- Reduce tear-outs in hardwoods, cross-grained and knotty material greatly.
- Significant noise, downtime and spindle bearing wear reduction.

Size D (Cutterhead Diameter) x L (Cutterhead Length)	ID No. Solid Carbide	ID No. HSS
125 x 60	K081 02001	K082 02001
125 x 100	K081 02002	K082 02002
125 x 130	K081 02003	K082 02003
125 x 150	K081 02004	K082 02004
125 x 180	K081 02005	K082 02005
125 x 230	K081 02006	K082 02006
160 x 60	K081 06001	K082 06001
160 x 100	K081 06002	K082 06002
160 x 130	K081 06003	K082 06003
160 x 150	K081 06004	K082 06004
160 x 180	K081 06005	K082 06005
160 x 230	K081 06006	K082 06006
160 x 310	K081 06009	K082 06009



Hydro-Lock Cutter Heads

--- For corrugated knives

Application:

Use on high speed jointed moulders for precision profiling of solid woods.

Features:

- Standard corrugated knife slots are 16-60° with 16-90° available upon request.
- Body diameter 137mm, 150mm, 163mm and 195mm.
- Cutting lengths: 60mm - 310mm
- Bore Sizes: 1-1/2", 40mm, 1-13/16", 50mm and 2-1/8".
- Working Pressure: 300 – 350 bars
- Max Pressure: 400 bars

Supply without knives.

ID No.	D	L	d	Z	Cutting Angle	N Max
H021 04041	137	60	1-1/2"	4	12	9000
H021 04043	137	100	1-1/2"	4	12	9000
H021 04044	137	130	1-1/2"	4	12	9000
H021 04045	137	150	1-1/2"	4	12	9000
H021 04046	137	180	1-1/2"	4	12	9000
H021 04047	137	230	1-1/2"	4	12	9000
H021 04013	137	60	1-1/2"	4	20	9000
H021 04015	137	100	1-1/2"	4	20	9000
H021 04034	137	130	1-1/2"	4	20	9000
H021 04016	137	150	1-1/2"	4	20	9000
H021 04037	137	230	1-1/2"	4	20	9000
H021 04051	137	60	40	4	12	9000
H021 04053	137	100	40	4	12	9000
H021 04054	137	130	40	4	12	9000
H021 04055	137	150	40	4	12	9000
H021 04056	137	180	40	4	12	9000
H021 04057	137	230	40	4	12	9000
H021 04005	137	60	40	4	20	9000
H021 04017	137	100	40	4	20	9000
H021 04018	137	130	40	4	20	9000
H021 04019	137	150	40	4	20	9000

ID No.	D	L	d	Z	Cutting Angle	N Max
H021 04020	137	180	40	4	20	9000
H021 04021	137	230	40	4	20	9000
H021 01001	150	60	1-13/16"	4	12	8000
H021 01002	150	100	1-13/16"	4	12	8000
H021 01003	150	130	1-13/16"	4	12	8000
H021 01004	150	150	1-13/16"	4	12	8000
H021 01005	150	180	1-13/16"	4	12	8000
H021 01006	150	230	1-13/16"	4	12	8000
H021 01173	150	240	1-13/16"	4	12	8000
H021 01008	150	310	1-13/16"	4	12	8000
H021 01018	150	60	1-13/16"	4	20	8000
H021 01019	150	100	1-13/16"	4	20	8000
H021 01020	150	130	1-13/16"	4	20	8000
H021 01021	150	150	1-13/16"	4	20	8000
H021 01022	150	180	1-13/16"	4	20	8000
H021 01023	150	230	1-13/16"	4	20	8000
H021 01175	150	240	1-13/16"	4	20	8000
H021 01025	150	310	1-13/16"	4	20	8000
H021 01050	150	60	50	4	12	8000
H021 01051	150	100	50	4	12	8000
H021 01052	150	130	50	4	12	8000
H021 01053	150	150	50	4	12	8000
H021 01054	150	180	50	4	12	8000
H021 01055	150	230	50	4	12	8000
H021 01181	150	240	50	4	12	8000
H021 01057	150	310	50	4	12	8000
H021 01066	150	60	50	4	20	8000
H021 01067	150	100	50	4	20	8000
H021 01068	150	130	50	4	20	8000
H021 01069	150	150	50	4	20	8000
H021 01070	150	180	50	4	20	8000
H021 01071	150	230	50	4	20	8000
H021 01183	150	240	50	4	20	8000
H021 01073	150	310	50	4	20	8000
H021 01098	150	60	2-1/8"	4	12	8000
H021 01099	150	100	2-1/8"	4	12	8000
H021 01100	150	130	2-1/8"	4	12	8000
H021 01101	150	150	2-1/8"	4	12	8000
H021 01102	150	180	2-1/8"	4	12	8000
H021 01103	150	230	2-1/8"	4	12	8000

ID No.	D	L	d	Z	Cutting Angle	N Max
H021 01188	150	240	2-1/8"	4	12	8000
H021 01105	150	310	2-1/8"	4	12	8000
H021 01114	150	60	2-1/8"	4	20	8000
H021 01115	150	100	2-1/8"	4	20	8000
H021 01116	150	130	2-1/8"	4	20	8000
H021 01117	150	150	2-1/8"	4	20	8000
H021 01118	150	180	2-1/8"	4	20	8000
H021 01119	150	230	2-1/8"	4	20	8000
H021 01190	150	240	2-1/8"	4	20	8000
H021 01121	150	310	2-1/8"	4	20	8000
H021 01009	150	60	1-13/16"	6	12	8000
H021 01010	150	100	1-13/16"	6	12	8000
H021 01011	150	130	1-13/16"	6	12	8000
H021 01012	150	150	1-13/16"	6	12	8000
H021 01013	150	180	1-13/16"	6	12	8000
H021 01015	150	230	1-13/16"	6	12	8000
H021 01177	150	240	1-13/16"	6	12	8000
H021 01017	150	310	1-13/16"	6	12	8000
H021 01026	150	60	1-13/16"	6	20	8000
H021 01027	150	100	1-13/16"	6	20	8000
H021 01028	150	130	1-13/16"	6	20	8000
H021 01029	150	150	1-13/16"	6	20	8000
H021 01030	150	180	1-13/16"	6	20	8000
H021 01031	150	230	1-13/16"	6	20	8000
H021 01179	150	240	1-13/16"	6	20	8000
H021 01033	150	310	1-13/16"	6	20	8000
H021 01058	150	60	50	6	12	8000
H021 01059	150	100	50	6	12	8000
H021 01060	150	130	50	6	12	8000
H021 01061	150	150	50	6	12	8000
H021 01062	150	180	50	6	12	8000
H021 01063	150	230	50	6	12	8000
H021 01185	150	240	50	6	12	8000
H021 01065	150	310	50	6	12	8000
H021 01074	150	60	50	6	20	8000
H021 01075	150	100	50	6	20	8000
H021 01076	150	130	50	6	20	8000
H021 01077	150	150	50	6	20	8000
H021 01078	150	180	50	6	20	8000
H021 01079	150	230	50	6	20	8000
H021 01186	150	240	50	6	20	8000

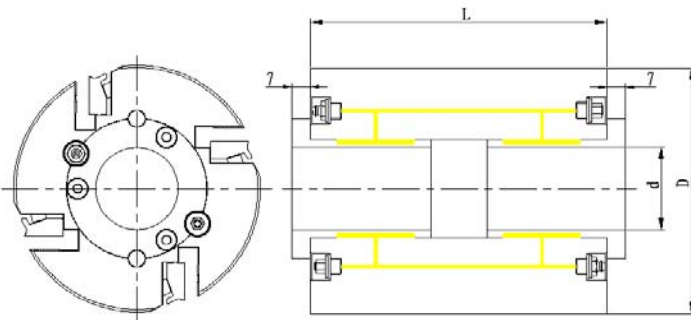
ID No.	D	L	d	Z	Cutting Angle	N Max
H021 01081	150	310	50	6	20	8000
H021 01106	150	60	2-1/8"	6	12	8000
H021 01107	150	100	2-1/8"	6	12	8000
H021 01108	150	130	2-1/8"	6	12	8000
H021 01109	150	150	2-1/8"	6	12	8000
H021 01110	150	180	2-1/8"	6	12	8000
H021 01111	150	230	2-1/8"	6	12	8000
H021 01192	150	240	2-1/8"	6	12	8000
H021 01113	150	310	2-1/8"	6	12	8000
H021 01122	150	60	2-1/8"	6	20	8000
H021 01124	150	100	2-1/8"	6	20	8000
H021 01125	150	130	2-1/8"	6	20	8000
H021 01126	150	150	2-1/8"	6	20	8000
H021 01127	150	180	2-1/8"	6	20	8000
H021 01128	150	230	2-1/8"	6	20	8000
H021 01194	150	240	2-1/8"	6	20	8000
H021 01130	150	310	2-1/8"	6	20	8000
H021 02061	163	60	1-13/16"	6	12	6000
H021 02062	163	100	1-13/16"	6	12	6000
H021 02064	163	150	1-13/16"	6	12	6000
H021 02065	163	180	1-13/16"	6	12	6000
H021 02066	163	230	1-13/16"	6	12	6000
H021 02071	163	60	1-13/16"	6	20	6000
H021 02072	163	100	1-13/16"	6	20	6000
H021 02074	163	150	1-13/16"	6	20	6000
H021 02075	163	180	1-13/16"	6	20	6000
H021 02076	163	230	1-13/16"	6	20	6000
H021 02081	163	60	50	6	12	6000
H021 02082	163	100	50	6	12	6000
H021 02084	163	150	50	6	12	6000
H021 02085	163	180	50	6	12	6000
H021 02086	163	230	50	6	12	6000
H021 02087	163	240	50	6	12	6000
H021 02088	163	310	50	6	12	6000
H021 02058	163	60	50	6	20	6000
H021 02092	163	100	50	6	20	6000
H021 02094	163	150	50	6	20	6000
H021 02095	163	180	50	6	20	6000
H021 02096	163	230	50	6	20	6000
H021 02097	163	240	50	6	20	6000

ID No.	D	L	d	Z	Cutting Angle	N Max
H021 02098	163	310	50	6	20	6000
H021 02101	163	60	2-1/8"	6	12	6000
H021 02102	163	100	2-1/8"	6	12	6000
H021 02104	163	150	2-1/8"	6	12	6000
H021 02105	163	180	2-1/8"	6	12	6000
H021 02106	163	230	2-1/8"	6	12	6000
H021 02107	163	240	2-1/8"	6	12	6000
H021 02108	163	310	2-1/8"	6	12	6000
H021 02111	163	60	2-1/8"	6	20	6000
H021 02112	163	100	2-1/8"	6	20	6000
H021 02114	163	150	2-1/8"	6	20	6000
H021 02115	163	180	2-1/8"	6	20	6000
H021 02116	163	230	2-1/8"	6	20	6000
H021 02124	163	240	2-1/8"	6	20	6000
H021 02001	163	60	1-13/16"	8	12	6000
H021 02002	163	100	1-13/16"	8	12	6000
H021 02004	163	150	1-13/16"	8	12	6000
H021 02005	163	180	1-13/16"	8	12	6000
H021 02006	163	230	1-13/16"	8	12	6000
H021 02009	163	60	1-13/16"	8	20	6000
H021 02010	163	100	1-13/16"	8	20	6000
H021 02012	163	150	1-13/16"	8	20	6000
H021 02013	163	180	1-13/16"	8	20	6000
H021 02014	163	230	1-13/16"	8	20	6000
H021 02017	163	60	50	8	12	6000
H021 02018	163	100	50	8	12	6000
H021 02020	163	150	50	8	12	6000
H021 02021	163	180	50	8	12	6000
H021 02022	163	230	50	8	12	6000
H021 02024	163	310	50	8	12	6000
H021 02025	163	60	50	8	20	6000
H021 02026	163	100	50	8	20	6000
H021 02028	163	150	50	8	20	6000
H021 02029	163	180	50	8	20	6000
H021 02030	163	230	50	8	20	6000
H021 02032	163	310	50	8	20	6000
H021 02033	163	60	2-1/8"	8	12	6000
H021 02034	163	100	2-1/8"	8	12	6000
H021 02036	163	150	2-1/8"	8	12	6000
H021 02037	163	180	2-1/8"	8	12	6000
H021 02038	163	230	2-1/8"	8	12	6000

ID No.	D	L	d	Z	Cutting Angle	N Max
H021 02040	163	310	2-1/8"	8	12	6000
H021 02041	163	60	2-1/8"	8	20	6000
H021 02042	163	100	2-1/8"	8	20	6000
H021 02044	163	150	2-1/8"	8	20	6000
H021 02045	163	180	2-1/8"	8	20	6000
H021 02046	163	230	2-1/8"	8	20	6000
H021 02048	163	310	2-1/8"	8	20	6000

ID No.	Type
G901 09008	M10x1 Inlet Zerk
G901 09009	M10x1 Release Valve





Hydro-Lock Cutter Heads – With Hubs

--- For corrugated knives

Application:

Use on high speed jointed moulders for precision profiling of solid woods.

Features:

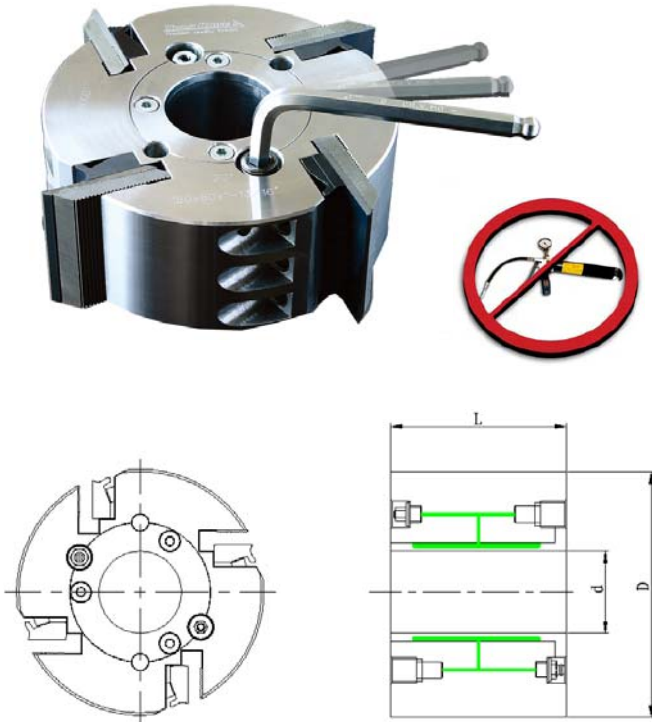
- Standard corrugated knife slots are 16-60° with 16-90° available upon request.
- Body diameter 137mm, 150mm, 163mm and 195mm.
- Cutting lengths: 60mm - 310mm
- Bore Sizes: 1-1/2", 40mm, 1-13/16", 50mm and 2-1/8".
- Working Pressure: 300 – 350 bars
- Max Pressure: 400 bars

Supply without knives.

ID No.	D	L	d	Z	Cutting Angle	N Max
H021 05001	150	60	1-13/16"	4	12	8000
H021 05002	150	100	1-13/16"	4	12	8000
H021 05003	150	130	1-13/16"	4	12	8000
H021 05004	150	150	1-13/16"	4	12	8000
H021 05005	150	180	1-13/16"	4	12	8000
H021 05006	150	230	1-13/16"	4	12	8000
H021 05007	150	240	1-13/16"	4	12	8000
H021 05008	150	310	1-13/16"	4	12	8000
H021 05018	150	60	1-13/16"	4	20	8000
H021 05019	150	100	1-13/16"	4	20	8000
H021 05020	150	130	1-13/16"	4	20	8000
H021 05021	150	150	1-13/16"	4	20	8000
H021 05022	150	180	1-13/16"	4	20	8000
H021 05023	150	230	1-13/16"	4	20	8000
H021 05024	150	240	1-13/16"	4	20	8000
H021 05025	150	310	1-13/16"	4	20	8000
H021 05050	150	60	50	4	12	8000
H021 05051	150	100	50	4	12	8000
H021 05052	150	130	50	4	12	8000
H021 05053	150	150	50	4	12	8000
H021 05054	150	180	50	4	12	8000

ID No.	D	L	d	Z	Cutting Angle	N Max
H021 05055	150	230	50	4	12	8000
H021 05056	150	240	50	4	12	8000
H021 05057	150	310	50	4	12	8000
H021 05066	150	60	50	4	20	8000
H021 05067	150	100	50	4	20	8000
H021 05068	150	130	50	4	20	8000
H021 05069	150	150	50	4	20	8000
H021 05070	150	180	50	4	20	8000
H021 05071	150	230	50	4	20	8000
H021 05072	150	240	50	4	20	8000
H021 05073	150	310	50	4	20	8000
H021 05099	150	60	2-1/8"	4	12	8000
H021 05100	150	100	2-1/8"	4	12	8000
H021 05101	150	130	2-1/8"	4	12	8000
H021 05102	150	150	2-1/8"	4	12	8000
H021 05103	150	180	2-1/8"	4	12	8000
H021 05104	150	230	2-1/8"	4	12	8000
H021 05105	150	240	2-1/8"	4	12	8000
H021 05099	150	310	2-1/8"	4	12	8000
H021 05114	150	60	2-1/8"	4	20	8000
H021 05115	150	100	2-1/8"	4	20	8000
H021 05116	150	130	2-1/8"	4	20	8000
H021 05117	150	150	2-1/8"	4	20	8000
H021 05118	150	180	2-1/8"	4	20	8000
H021 05119	150	230	2-1/8"	4	20	8000
H021 05120	150	240	2-1/8"	4	20	8000
H021 05121	150	310	2-1/8"	4	20	8000
H021 05009	150	60	1-13/16"	6	12	8000
H021 05010	150	100	1-13/16"	6	12	8000
H021 05011	150	130	1-13/16"	6	12	8000
H021 05012	150	150	1-13/16"	6	12	8000
H021 05013	150	180	1-13/16"	6	12	8000
H021 05015	150	230	1-13/16"	6	12	8000
H021 05016	150	240	1-13/16"	6	12	8000
H021 05017	150	310	1-13/16"	6	12	8000
H021 05026	150	60	1-13/16"	6	20	8000
H021 05027	150	100	1-13/16"	6	20	8000
H021 05028	150	130	1-13/16"	6	20	8000
H021 05029	150	150	1-13/16"	6	20	8000
H021 05030	150	180	1-13/16"	6	20	8000
H021 05031	150	230	1-13/16"	6	20	8000

ID No.	D	L	d	Z	Cutting Angle	N Max
H021 05032	150	240	1-13/16"	6	20	8000
H021 05033	150	310	1-13/16"	6	20	8000
H021 05058	150	60	50	6	12	8000
H021 05059	150	100	50	6	12	8000
H021 05060	150	130	50	6	12	8000
H021 05061	150	150	50	6	12	8000
H021 05062	150	180	50	6	12	8000
H021 05063	150	230	50	6	12	8000
H021 05064	150	240	50	6	12	8000
H021 05065	150	310	50	6	12	8000
H021 05074	150	60	50	6	20	8000
H021 05075	150	100	50	6	20	8000
H021 05076	150	130	50	6	20	8000
H021 05077	150	150	50	6	20	8000
H021 05078	150	180	50	6	20	8000
H021 05079	150	230	50	6	20	8000
H021 05080	150	240	50	6	20	8000
H021 05081	150	310	50	6	20	8000
H021 05106	150	60	2-1/8"	6	12	8000
H021 05107	150	100	2-1/8"	6	12	8000
H021 05108	150	130	2-1/8"	6	12	8000
H021 05109	150	150	2-1/8"	6	12	8000
H021 05110	150	180	2-1/8"	6	12	8000
H021 05111	150	230	2-1/8"	6	12	8000
H021 05112	150	240	2-1/8"	6	12	8000
H021 05113	150	310	2-1/8"	6	12	8000
H021 05122	150	60	2-1/8"	6	20	8000
H021 05124	150	100	2-1/8"	6	20	8000
H021 05125	150	130	2-1/8"	6	20	8000
H021 05126	150	150	2-1/8"	6	20	8000
H021 05127	150	180	2-1/8"	6	20	8000
H021 05128	150	230	2-1/8"	6	20	8000
H021 05129	150	240	2-1/8"	6	20	8000
H021 05130	150	310	2-1/8"	6	20	8000



Easy-Lock Cutter Heads

--- For corrugated knives

Application:

Use on high speed jointed moulders for precision profiling of solid woods.

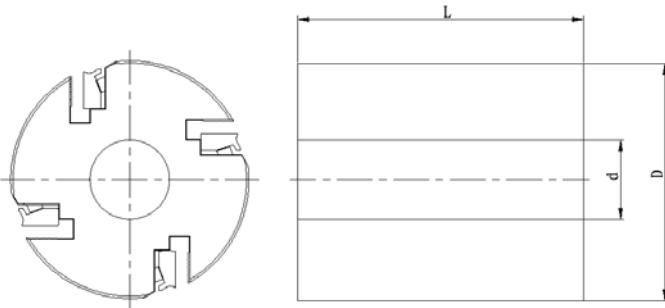
Features:

- No grease pump required.
- Precise, quick, & simple to use with no messy grease.
- Piston pressure design.
- Body diameter 137mm, 150mm, 163mm.
- Cutting lengths: 60mm - 150mm
- Bore Sizes: 1-1/2", 40mm, 1-13/16", 50mm and 2-1/8".
- Working Pressure: 300 – 350 bars
- Max Pressure: 400 bars

Supply without knives.

ID No.	D	L	d	Z	Cutting Angle	N Max
H031 01072	150	60	1-13/16"	4	12	8000
H031 01074	150	100	1-13/16"	4	12	8000
H031 01076	150	150	1-13/16"	4	12	8000
H031 01062	150	60	1-13/16"	4	20	8000
H031 01064	150	100	1-13/16"	4	20	8000
H031 01066	150	150	1-13/16"	4	20	8000
H031 01092	150	60	50	4	12	8000
H031 01094	150	100	50	4	12	8000
H031 01096	150	150	50	4	12	8000
H031 01082	150	60	50	4	20	8000
H031 01084	150	100	50	4	20	8000
H031 01086	150	150	50	4	20	8000
H031 01112	150	60	2-1/8"	4	12	8000
H031 01114	150	100	2-1/8"	4	12	8000
H031 01116	150	150	2-1/8"	4	12	8000
H031 01102	150	60	2-1/8"	4	20	8000
H031 01104	150	100	2-1/8"	4	20	8000
H031 01106	150	150	2-1/8"	4	20	8000

ID No.	D	L	d	Z	Cutting Angle	N Max
H031 01012	150	60	1-13/16"	6	12	8000
H031 01014	150	100	1-13/16"	6	12	8000
H031 01016	150	150	1-13/16"	6	12	8000
H031 01002	150	60	1-13/16"	6	20	8000
H031 01004	150	100	1-13/16"	6	20	8000
H031 01006	150	150	1-13/16"	6	20	8000
H031 01032	150	60	50	6	12	
H031 01034	150	100	50	6	12	8000
H031 01036	150	150	50	6	12	8000
H031 01022	150	60	50	6	20	8000
H031 01024	150	100	50	6	20	8000
H031 01026	150	150	50	6	20	8000
H031 01052	150	60	2-1/8"	6	12	8000
H031 01054	150	100	2-1/8"	6	12	8000
H031 01056	150	150	2-1/8"	6	12	8000
H031 01042	150	60	2-1/8"	6	20	8000
H031 01044	150	100	2-1/8"	6	20	8000
H031 01046	150	150	2-1/8"	6	20	8000



Straight Bore Cutter Heads

--- For corrugated knives

Application:

For use on moulders for profile and planning.

Features:

- High alloy strong steel body.
- Dual Hook offer flexibility to cut either hardwood or softwood.
- Standard corrugated knife slots are 16-60° with 16-90° available upon request.
- Body diameter 122mm and 137mm.
- Cutting lengths: 60mm - 310mm
- Bore Sizes: 1-1/2", and 40mm.
- Balanced to run up to 8000 rpm.

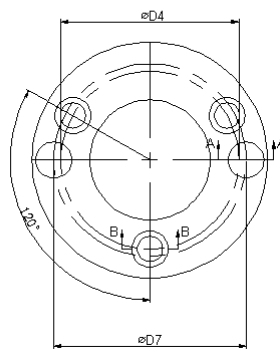
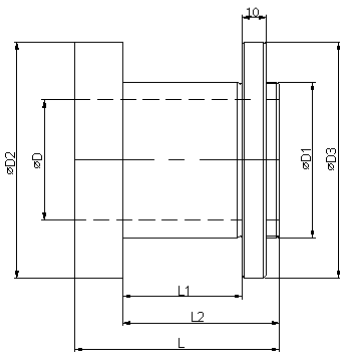
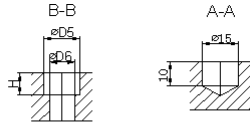
Supply without knives.

ID No.	D	L	d	Z	Cutting Angle	N Max
H011 02001	122	50	1-1/2"	4	12	9000
H011 02002	122	60	1-1/2"	4	12	9000
H011 02003	122	80	1-1/2"	4	12	9000
H011 02004	122	100	1-1/2"	4	12	9000
H011 02005	122	130	1-1/2"	4	12	9000
H011 02006	122	150	1-1/2"	4	12	9000
H011 02007	122	230	1-1/2"	4	12	9000
H011 02015	122	50	1-1/2"	4	20	9000
H011 02016	122	60	1-1/2"	4	20	9000
H011 02017	122	80	1-1/2"	4	20	9000
H011 02018	122	100	1-1/2"	4	20	9000
H011 02019	122	130	1-1/2"	4	20	9000
H011 02020	122	150	1-1/2"	4	20	9000
H011 02021	122	230	1-1/2"	4	20	9000
H011 02022	122	50	1-1/2"	2/2	12/20	9000
H011 02023	122	60	1-1/2"	2/2	12/20	9000
H011 02024	122	80	1-1/2"	2/2	12/20	9000
H011 02025	122	100	1-1/2"	2/2	12/20	9000
H011 02026	122	130	1-1/2"	2/2	12/20	9000
H011 02027	122	150	1-1/2"	2/2	12/20	9000
H011 02028	122	180	1-1/2"	2/2	12/20	9000

ID No.	D	L	d	Z	Cutting Angle	N Max
H011 02030	122	230	1-1/2"	2/2	12/20	9000
H011 02032	122	50	40	4	12	9000
H011 02033	122	60	40	4	12	9000
H011 02034	122	80	40	4	12	9000
H011 02035	122	100	40	4	12	9000
H011 02036	122	130	40	4	12	9000
H011 02037	122	150	40	4	12	9000
H011 02038	122	180	40	4	12	9000
H011 02039	122	230	40	4	12	9000
H011 02047	122	50	40	4	20	9000
H011 02048	122	60	40	4	20	9000
H011 02049	122	80	40	4	20	9000
H011 02050	122	100	40	4	20	9000
H011 02051	122	130	40	4	20	9000
H011 02052	122	150	40	4	20	9000
H011 02053	122	180	40	4	20	9000
H011 02054	122	230	40	4	20	9000
H011 02056	122	50	40	2/2	12/20	9000
H011 02057	122	60	40	2/2	12/20	9000
H011 02058	122	80	40	2/2	12/20	9000
H011 02059	122	100	40	2/2	12/20	9000
H011 02060	122	130	40	2/2	12/20	9000
H011 02061	122	150	40	2/2	12/20	9000
H011 02062	122	180	40	2/2	12/20	9000
H011 02063	122	230	40	2/2	12/20	9000
H011 03010	137	50	1-13/16"	4	12	8000
H011 03011	137	60	1-13/16"	4	12	8000
H011 03012	137	80	1-13/16"	4	12	8000
H011 03013	137	100	1-13/16"	4	12	8000
H011 03014	137	130	1-13/16"	4	12	8000
H011 03015	137	150	1-13/16"	4	12	8000
H011 03016	137	180	1-13/16"	4	12	8000
H011 03017	137	230	1-13/16"	4	12	8000
H011 03018	137	310	1-13/16"	4	12	8000
H011 03028	137	50	1-13/16"	4	20	8000
H011 03029	137	60	1-13/16"	4	20	8000
H011 03030	137	80	1-13/16"	4	20	8000
H011 03031	137	100	1-13/16"	4	20	8000
H011 03032	137	130	1-13/16"	4	20	8000
H011 03033	137	150	1-13/16"	4	20	8000

ID No.	D	L	d	Z	Cutting Angle	N Max
H011 03034	137	180	1-13/16"	4	20	8000
H011 03035	137	230	1-13/16"	4	20	8000
H011 03036	137	310	1-13/16"	4	20	8000
H011 03037	137	50	1-13/16"	2/2	12/20	8000
H011 03038	137	60	1-13/16"	2/2	12/20	8000
H011 03039	137	80	1-13/16"	2/2	12/20	8000
H011 03040	137	100	1-13/16"	2/2	12/20	8000
H011 03041	137	130	1-13/16"	2/2	12/20	8000
H011 03042	137	150	1-13/16"	2/2	12/20	8000
H011 03043	137	180	1-13/16"	2/2	12/20	8000
H011 03044	137	230	1-13/16"	2/2	12/20	8000
H011 03046	137	310	1-13/16"	2/2	12/20	8000
H011 03057	137	50	50	4	12	8000
H011 03058	137	60	50	4	12	8000
H011 03059	137	80	50	4	12	8000
H011 03060	137	100	50	4	12	8000
H011 03061	137	130	50	4	12	8000
H011 03062	137	150	50	4	12	8000
H011 03063	137	180	50	4	12	8000
H011 03064	137	230	50	4	12	8000
H011 03065	137	310	50	4	12	8000
H011 03075	137	50	50	4	20	8000
H011 03076	137	60	50	4	20	8000
H011 03077	137	80	50	4	20	8000
H011 03078	137	100	50	4	20	8000
H011 03079	137	130	50	4	20	8000
H011 03080	137	150	50	4	20	8000
H011 03081	137	180	50	4	20	8000
H011 03082	137	230	50	4	20	8000
H011 03083	137	310	50	4	20	8000
H011 03084	137	50	50	2/2	12/20	8000
H011 03085	137	60	50	2/2	12/20	8000
H011 03086	137	80	50	2/2	12/20	8000
H011 03087	137	100	50	2/2	12/20	8000
H011 03088	137	130	50	2/2	12/20	8000
H011 03089	137	150	50	2/2	12/20	8000
H011 03090	137	180	50	2/2	12/20	8000
H011 03091	137	230	50	2/2	12/20	8000
H011 03092	137	310	50	2/2	12/20	8000
H011 03093	137	50	2-1/8"	4	12	8000
H011 03094	137	60	2-1/8"	4	12	8000

ID No.	D	L	d	Z	Cutting Angle	N Max
H011 03095	137	80	2-1/8"	4	12	8000
H011 03096	137	100	2-1/8"	4	12	8000
H011 03097	137	130	2-1/8"	4	12	8000
H011 03098	137	150	2-1/8"	4	12	8000
H011 03099	137	180	2-1/8"	4	12	8000
H011 03100	137	230	2-1/8"	4	12	8000
H011 03101	137	310	2-1/8"	4	12	8000
H011 03111	137	50	2-1/8"	4	20	8000
H011 03112	137	60	2-1/8"	4	20	8000
H011 03113	137	80	2-1/8"	4	20	8000
H011 03114	137	100	2-1/8"	4	20	8000
H011 03115	137	130	2-1/8"	4	20	8000
H011 03116	137	150	2-1/8"	4	20	8000
H011 03117	137	180	2-1/8"	4	20	8000
H011 03118	137	230	2-1/8"	4	20	8000
H011 03119	137	310	2-1/8"	4	20	8000
H011 03120	137	50	2-1/8"	2/2	12/20	8000
H011 03121	137	60	2-1/8"	2/2	12/20	8000
H011 03122	137	80	2-1/8"	2/2	12/20	8000
H011 03123	137	100	2-1/8"	2/2	12/20	8000
H011 03124	137	130	2-1/8"	2/2	12/20	8000
H011 03125	137	150	2-1/8"	2/2	12/20	8000
H011 03126	137	180	2-1/8"	2/2	12/20	8000
H011 03127	137	230	2-1/8"	2/2	12/20	8000
H011 03128	137	310	2-1/8"	2/2	12/20	8000



Hydro-Lock Sleeves Type B

--- Pressurized with a grease pump

Application:

The B type Hydro-Lock Sleeve is designed for interchangeable tool assembly which can easily be switched between the tools such as straight bore cutterheads, saw blades on moulders, tenoners, and rip saws.

Features:

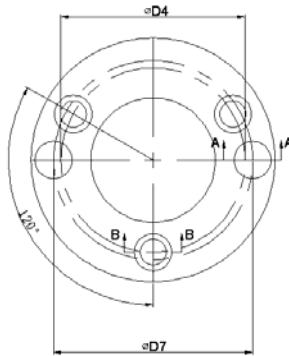
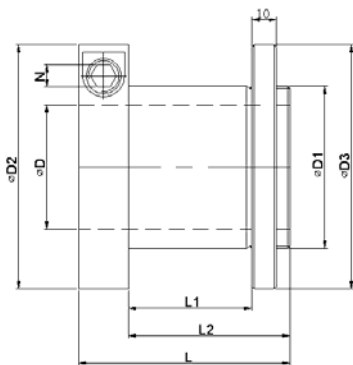
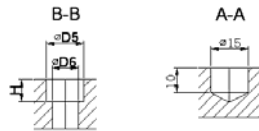
- Welded structure is designed to reach to a high performance.
- Dimensional matches to the popular grips in the market.
- Max RPM: 9000 rpm
- Working Pressure: 400 – 450 bars
- Max Pressure: 500 bars

ID No.	Type	D	D1	D2	D3	D4	D5	D6	D7	H	L	L1	L2
G011 01003	B 1-1/2"/50x85	1-1/2"	50	83	83	64	14	9.5	65	8.5	85	50	65
G011 01004	B 1-1/2"/50x135	1-1/2"	50	83	83	64	14	9.5	65	8.5	135	100	115
G011 01005	B 1-1/2"/50x185	1-1/2"	50	83	83	64	14	9.5	65	8.5	185	150	165
G011 01006	B 1-13/16"/60x75	1-13/16"	60	93	90	74	14	9.5	75	8.5	75	40	55
G011 01007	B 1-13/16"/60x115	1-13/16"	60	93	90	74	14	9.5	75	8.5	115	80	95
G011 01008	B 1-13/16"/60x140	1-13/16"	60	93	90	74	14	9.5	75	8.5	140	105	120
G011 01009	B 1-13/16"/60x190	1-13/16"	60	93	90	74	14	9.5	75	8.5	190	155	170
G011 01010	B 1-13/16"/65x85	1-13/16"	65	98	98	80	14	9.5	80	8.5	85	50	65
G011 01011	B 1-13/16"/65x135	1-13/16"	65	98	98	80	14	9.5	80	8.5	135	100	116
G011 01012	B 1-13/16"/65x185	1-13/16"	65	98	98	80	14	9.5	80	8.5	185	150	165
G011 01013	B 1-13/16"/65x235	1-13/16"	65	98	98	80	14	9.5	80	8.5	235	200	215
G011 01014	B 2-1/8"/65x85	2-1/8"	65	98	98	80	14	9.5	80	8.5	85	50	65
G011 01015	B 2-1/8"/65x135	2-1/8"	65	98	98	80	14	9.5	80	8.5	135	100	115
G011 01016	B 2-1/8"/65x185	2-1/8"	65	98	98	80	14	9.5	80	8.5	185	150	165
G011 01017	B 2-1/8"/65x235	2-1/8"	65	98	98	80	14	9.5	80	8.5	235	200	215
G011 01511	B 40/50x75	40	50	83	83	64	10	6	65	5.5	75	40	55
G011 01512	B 40/50x115	40	50	83	83	64	10	6	65	5.5	115	80	95
G011 01513	B 40/50x140	40	50	83	83	64	10	6	65	5.5	140	105	120
G011 01514	B 40/50x165	40	50	83	83	64	10	6	65	5.5	165	130	145
G011 01515	B 40/50x190	40	50	83	83	64	10	6	65	5.5	190	155	170

ID No.	Type	D	D1	D2	D3	D4	D5	D6	D7	H	L	L1	L2
G011 01516	B 40/60x75	40	60	93	90	74	14	9.5	75	8.5	75	40	55
G011 01517	B 40/60x95	40	60	93	90	74	14	9.5	75	8.5	95	60	75
G011 01518	B 40/60x115	40	60	93	90	74	14	9.5	75	8.5	115	80	95
G011 01519	B 40/60x140	40	60	93	90	74	14	9.5	75	8.5	140	105	120
G011 01520	B 40/60x165	40	60	93	90	74	14	9.5	75	8.5	165	130	145
G011 01521	B 40/60x215	40	60	93	90	74	14	9.5	75	8.5	215	180	195
G011 01530	B 50/60x75	50	60	93	90	74	14	9.5	75	8.5	75	40	55
G011 01531	B 50/60x95	50	60	93	90	74	14	9.5	75	8.5	95	60	75
G011 01532	B 50/60x115	50	60	93	90	74	14	9.5	75	8.5	115	80	95
G011 01533	B 50/60x140	50	60	93	90	74	14	9.5	75	8.5	140	105	120
G011 01534	B 50/60x190	50	60	93	90	74	14	9.5	75	8.5	190	155	170
G011 01535	B 50/60x230	50	60	93	90	74	14	9.5	75	8.5	230	195	210
G011 01536	B 50/60x240	50	60	93	90	74	14	9.5	75	8.5	240	205	220
G011 01630	B 50/59.96x75	50	59.96	93	90	74	14	9.5	75	8.5	75	40	55
G011 01631	B 50/59.96x95	50	59.96	93	90	74	14	9.5	75	8.5	95	60	75
G011 01632	B 50/59.96x115	50	59.96	93	90	74	14	9.5	75	8.5	115	80	95
G011 01633	B 50/59.96x140	50	59.96	93	90	74	14	9.5	75	8.5	140	105	120
G011 01634	B 50/59.96x190	50	59.96	93	90	74	14	9.5	75	8.5	190	155	170
G011 01635	B 50/59.96x230	50	59.96	93	90	74	14	9.5	75	8.5	230	195	210
G011 01636	B 50/59.96x240	50	59.96	93	90	74	14	9.5	75	8.5	240	205	220

ID No.	Type
G901 09008	M10x1 Inlet Zerk
G901 09009	M10x1 Release Valve





Hydro-Lock Sleeves Type BI

--- Pressurized with the allen T-wrench

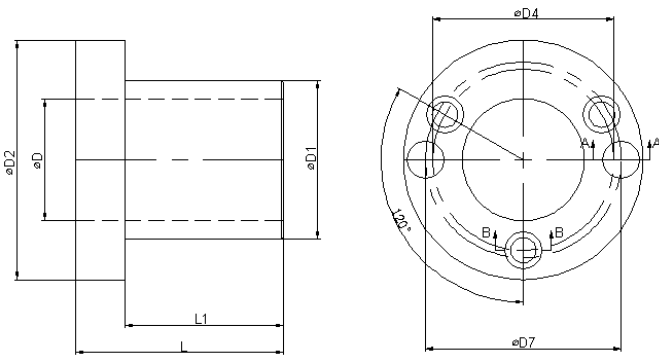
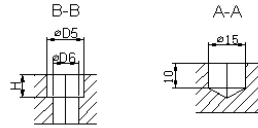
Application:

The BI type Hydro-Lock Sleeve is designed for interchangeable tool assembly which can easily be switched between the tools such as straight bore cutterheads, saw blades on moulders, tenoners, and rip saws.

Features:

- Welded structure is designed to reach to a high performance.
- Dimensional matches to the popular grips in the market.
- Max RPM: 9000 rpm
- Working Pressure: 400 – 450 bars

ID No.	Type	D	D1	D2	D3	D4	D5	D6	D7	H	L	L1	L2	N
G012 01003	BI 1-1/2"/50x85	1-1/2"	50	100	83	64	14	9.5	65	8.5	85	50	65	8
G012 01006	BI 1-13/16"/60x75	1-13/16"	60	102	90	74	14	9.5	75	8.5	75	40	55	8
G012 01007	BI 1-13/16"/60x115	1-13/16"	60	108	90	74	14	9.5	75	8.5	115	80	95	8
G012 01010	BI 1-13/16"/65x85	1-13/16"	65	108	98	80	14	9.5	80	8.5	85	50	65	8
G012 01011	BI 1-13/16"/65x135	1-13/16"	65	117	98	80	14	9.5	80	8.5	135	100	116	8
G012 01014	BI 2-1/8"/65x85	2-1/8"	65	108	98	80	14	9.5	80	8.5	85	50	65	8
G012 01015	BI 2-1/8"/65x135	2-1/8"	65	117	98	80	14	9.5	80	8.5	135	100	115	8
G012 01511	BI 40/50x75	40	50	100	83	64	14	9.5	65	8.5	75	40	55	8
G012 01516	BI 40/60x75	40	60	102	90	74	14	9.5	75	8.5	75	40	55	8
G012 01517	BI 40/60x95	40	60	108	90	74	14	9.5	75	8.5	95	60	75	8
G012 01518	BI 40/60x115	40	60	108	90	74	14	9.5	75	8.5	115	80	95	8
G012 01530	BI 50/60x75	50	60	102	90	74	14	9.5	75	8.5	75	40	55	8
G012 01531	BI 50/60x95	50	60	108	90	74	14	9.5	75	8.5	95	60	75	8
G012 01532	BI 50/60x115	50	60	108	90	74	14	9.5	75	8.5	115	80	95	8



Hydro-Lock Sleeves Type C

--- Pressurized with a grease pump

Application:

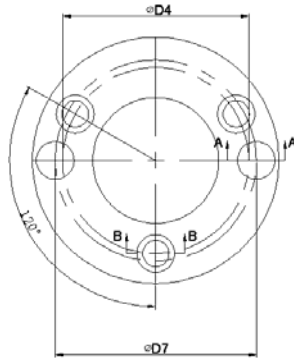
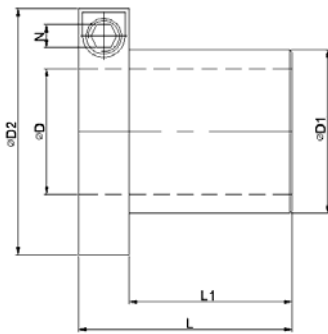
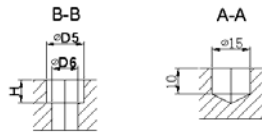
The C type Hydro-Lock Sleeve is designed for interchangeable tool assembly which can easily be switched between the tools.

Features:

- Welded structure is designed to reach to a high performance.
- Dimensional matches to the popular grips in the market.
- Max RPM: 9000 rpm
- Working Pressure: 400 – 450 bars
- Max Pressure: 500 bars

ID No.	Type	D	D1	D2	D4	D5	D6	D7	H	L	L1
G011 03003	C 1-1/2"/50x85	1-1/2"	50	83	64	14	9.5	65	8.5	85	65
G011 03004	C 1-1/2"/50x135	1-1/2"	50	83	64	14	9.5	65	8.5	135	115
G011 03005	C 1-1/2"/50x185	1-1/2"	50	83	64	14	9.5	65	8.5	185	165
G011 03006	C 1-13/16"/60x75	1-13/16"	60	93	74	14	9.5	75	8.5	75	55
G011 03007	C 1-13/16"/60x115	1-13/16"	60	93	74	14	9.5	75	8.5	115	95
G011 03008	C 1-13/16"/60x140	1-13/16"	60	93	74	14	9.5	75	8.5	140	120
G011 03009	C 1-13/16"/60x190	1-13/16"	60	93	74	14	9.5	75	8.5	190	170
G011 03010	C 1-13/16"/65x85	1-13/16"	65	98	80	14	9.5	80	8.5	85	65
G011 03011	C 1-13/16"/65x135	1-13/16"	65	98	80	14	9.5	80	8.5	135	115
G011 03012	C 1-13/16"/65x185	1-13/16"	65	98	80	14	9.5	80	8.5	185	165
G011 03013	C 1-13/16"/65x235	2-1/8"	65	98	80	14	9.5	80	8.5	235	215
G011 03014	C 2-1/8"/65x85	2-1/8"	65	98	80	14	9.5	80	8.5	85	55
G011 03015	C 2-1/8"/65x135	2-1/8"	65	98	80	14	9.5	80	8.5	135	115
G011 03016	C 2-1/8"/65x185	2-1/8"	65	98	80	14	9.5	80	8.5	185	165
G011 03017	C 2-1/8"/65x235	2-1/8"	65	98	80	14	9.5	80	8.5	235	215
G011 03511	C 40/50x75	40	50	83	64	10	6	65	5.5	75	55
G011 03512	C 40/50x115	40	50	83	64	10	6	65	5.5	115	95
G011 03513	C 40/50x140	40	50	83	64	10	6	65	5.5	140	120
G011 03514	C 40/50x165	40	50	83	64	10	6	65	5.5	165	145
G011 03515	C 40/50x190	40	50	83	64	10	6	65	5.5	190	170

ID No.	Type	D	D1	D2	D4	D5	D6	D7	H	L	L1
G011 03516	C 40/60x75	40	60	93	74	14	9.5	75	8.5	75	55
G011 03517	C 40/60x95	40	60	93	74	14	9.5	75	8.5	95	75
G011 03518	C 40/60x115	40	60	93	74	14	9.5	75	8.5	115	95
G011 03519	C 40/60x140	40	60	93	74	14	9.5	75	8.5	140	120
G011 03520	C 40/60x165	40	60	93	74	14	9.5	75	8.5	165	145
G011 03521	C 40/60x215	40	60	93	74	14	9.5	75	8.5	215	195
G011 03530	C 50/60x75	50	60	93	74	14	9.5	75	8.5	75	55
G011 03531	C 50/60x95	50	60	93	74	14	9.5	75	8.5	95	75
G011 03532	C 50/60x115	50	60	93	74	14	9.5	75	8.5	115	95
G011 03533	C 50/60x140	50	60	93	74	14	9.5	75	8.5	140	120
G011 03534	C 50/60x190	50	60	93	74	14	9.5	75	8.5	190	170
G011 03535	C 50/60x230	50	60	93	74	14	9.5	75	8.5	230	210
G011 03536	C 50/60x240	50	60	93	74	14	9.5	75	8.5	240	220



Hydro-Lock Sleeves Type CI

--- Pressurized with the allen T-wrench

Application:

The CI type Hydro-Lock Sleeve is designed for interchangeable tool assembly which can easily be switched between the tools.

Features:

- Welded structure is designed to reach to a high performance.
- Dimensional matches to the popular grips in the market.
- Max RPM: 9000 rpm

ID No.	Type	D	D1	D2	D4	D5	D6	D7	H	L	L1	N
G012 03003	CI 1-1/2"/50x85	1-1/2"	50	102	64	14	9.5	65	8.5	85	65	8
G012 03004	CI 1-1/2"/50x135	1-1/2"	50	108	64	14	9.5	65	8.5	135	115	8
G012 03006	CI 1-13/16"/60x75	1-13/16"	60	102	74	14	9.5	75	8.5	75	55	8
G012 03007	CI 1-13/16"/60x115	1-13/16"	60	108	74	14	9.5	75	8.5	115	95	8
G012 03010	CI 1-13/16"/65x85	1-13/16"	65	108	80	14	9.5	80	8.5	85	65	8
G012 03011	CI 1-13/16"/65x135	1-13/16"	65	117	80	14	9.5	80	8.5	135	115	8
G012 03014	CI 2-1/8"/65x85	2-1/8"	65	108	80	14	9.5	80	8.5	85	55	8
G012 03015	CI 2-1/8"/65x135	2-1/8"	65	117	80	14	9.5	80	8.5	135	115	8
G012 03511	CI 40/50x75	40	50	100	64	14	9.5	65	8.5	75	55	8
G012 03516	CI 40/60x75	40	60	102	74	14	9.5	75	8.5	75	55	8
G012 03517	CI 40/60x95	40	60	108	74	14	9.5	75	8.5	95	75	8
G012 03518	CI 40/60x115	40	60	108	74	14	9.5	75	8.5	115	95	8
G012 03530	CI 50/60x75	50	60	102	74	14	9.5	75	8.5	75	55	8
G012 03531	CI 50/60x95	50	60	108	74	14	9.5	75	8.5	95	75	8
G012 03532	CI 50/60x115	50	60	108	74	14	9.5	75	8.5	115	95	8



Hydro-Lock Sleeves Type CIL

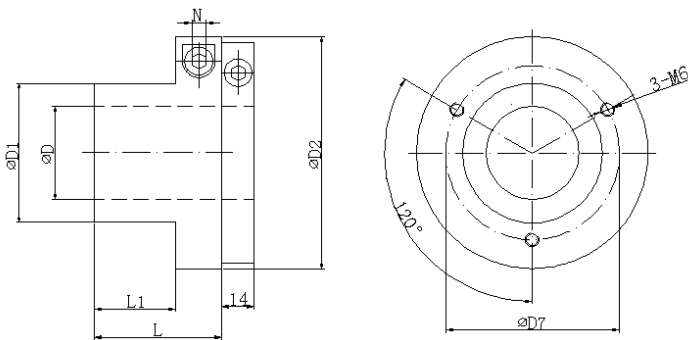
--- Pressurized with the allen T-wrench

Application:

The CIL type Hydro-Lock Sleeve is designed for interchangeable tool assembly which can easily be switched between the tools.

Features:

- Supplied with a safety ring.
- Welded structure is designed to reach to a high performance.
- Dimensional matches to the popular grips in the market.
- Max RPM: 9000 rpm



ID No.	Type	D	D1	D2	D7	L	L1	N
G012 03801	CIL 40/60x55	40	60	100	75	55	35	6
G012 03802	CIL 40/60x70	40	60	108	75	70	50	6
G012 03803	CIL 40/60x90	40	60	108	75	90	70	6



Hydro-Lock Sleeves Type AIL

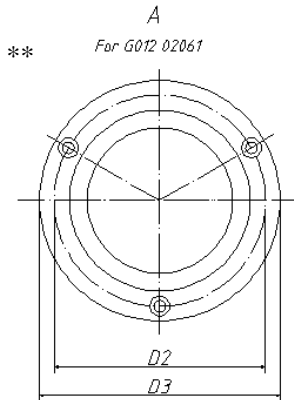
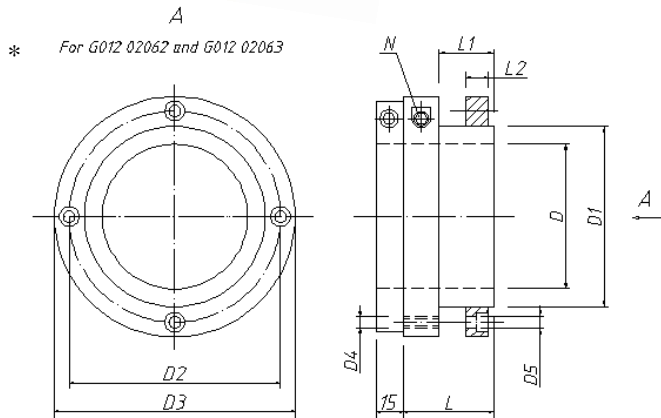
--- Pressurized with the allen T-wrench

Application:

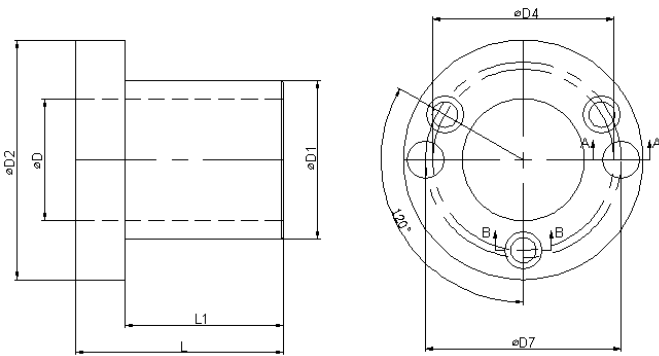
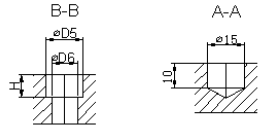
The AIL type Hydro-Lock Sleeve is designed for permanent tool assembly especially for saws which can be easily be located at the shaft.

Features:

- Supplied with a safety ring in aluminium.
- Welded structure is designed to reach to a high performance.
- Dimensional matches to the popular applications.
- The tool ring is supplied together.
- Max RPM: 9000 rpm



产品编码	型号	D	D1	D2	D3	L	L1	L2	N
G012 02601 **	AIL 60/80x50	60	80	97	113	50	30	12	8
G012 02602 *	AIL 80/100x50	80	100	117	133	50	30	12	8
G012 02603 *	AIL 100/120x50	100	120	137	153	50	30	15	8



Hydro-Lock Sleeves Type A

--- Pressurized with a grease pump

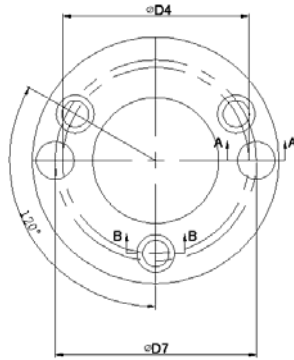
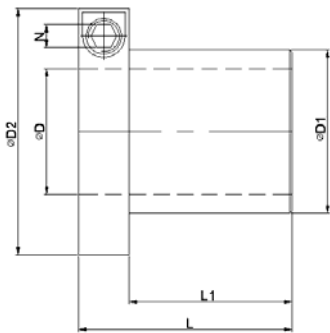
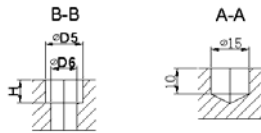
Application:

The A type Hydro-Lock Sleeve is designed for permanent assembly for different kind of tools.

Features:

- Welded structure is designed to reach to a high performance.
- Dimensional matches to the popular grips in the market.
- Max RPM: 9000 rpm
- Working Pressure: 400 – 450 bars
- Max Pressure: 500 bars

ID No.	Type	D	D1	D2	D4	D5	D6	D7	H	L	L1
G011 02001	A 1-1/2"/50x55	1-1/2"	50	83	64	14	9.5	65	8.5	55	35
G011 02003	A 1-13/16"/60x55	1-13/16"	60	93	74	14	9.5	75	8.5	55	35
G011 02005	A 1-13/16"/65x55	1-13/16"	65	98	80	14	9.5	80	8.5	55	35
G011 02007	A 2-1/8"/65x55	2-1/8"	65	98	80	14	9.5	80	8.5	55	35
G011 02510	A 40/50x55	40	50	83	64	10	6	65	5.5	55	35
G011 02525	A 40/60x55	40	60	93	74	14	9.5	75	8.5	55	35
G011 02516	A 40/60x75	40	60	93	74	14	9.5	75	8.5	75	55
G011 02529	A 50/60x55	50	60	93	74	14	9.5	75	8.5	55	35
G011 02530	A 50/60x75	50	60	93	74	14	9.5	75	8.5	75	55



Hydro-Lock Sleeves Type AI

--- Pressurized with the allen T-wrench

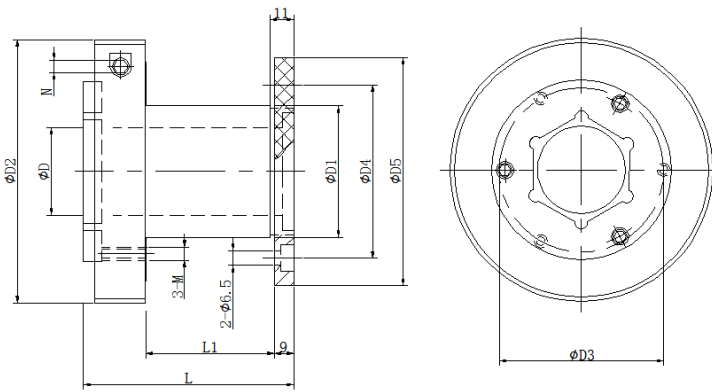
Application:

The AI type Hydro-Lock Sleeve is designed for permanent assembly for different kind of tools.

Features:

- Welded structure is designed to reach to a high performance.
- Dimensional matches to the popular grips in the market.
- Max RPM: 9000 rpm
- Working Pressure: 400 – 450 bars
- Max Pressure: 500 bars

ID No.	Type	D	D1	D2	D4	D5	D6	D7	H	L	L1	N
G012 02001	AI 1-1/2"/50x55	1-1/2"	50	93	64	14	9.5	65	8.5	55	35	6
G012 02003	AI 1-13/16"/60x55	1-13/16"	60	93	74	14	9.5	75	8.5	55	35	6
G012 02005	AI 1-13/16"/65x55	1-13/16"	65	98	80	14	9.5	80	8.5	55	35	6
G012 02007	AI 2-1/8"/65x55	2-1/8"	65	98	80	14	9.5	80	8.5	55	35	6
G012 02510	AI 40/50x55	40	50	83	64	10	6	65	5.5	55	35	6
G012 02525	AI 40/60x55	40	60	93	74	14	9.5	75	8.5	55	35	6
G012 02516	AI 40/60x75	40	60	93	74	14	9.5	75	8.5	75	55	6
G012 02529	AI 50/60x55	50	60	93	74	14	9.5	75	8.5	55	35	6
G012 02530	AI 50/60x75	50	60	93	74	14	9.5	75	8.5	75	55	6



Hydro-Lock Sleeves Type EIBL2

--- Pressurized with the allen T-wrench

Application:

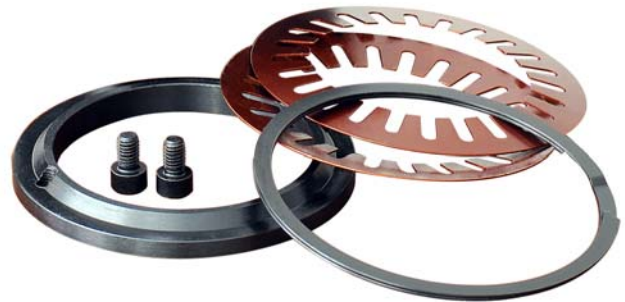
The EIB type Hydro-Lock Sleeve is designed for interchangeable tool assembly and machines with hexagonal spindle profile. The scaled nut is used for fine adjusting the gap between the two cutters.

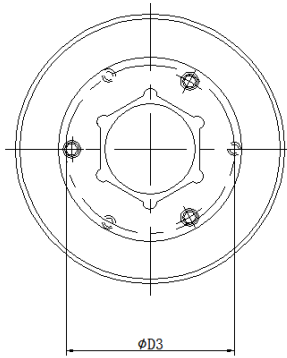
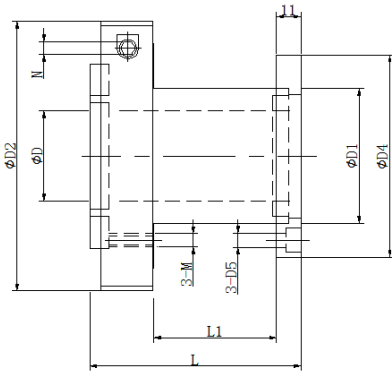
Features:

- Welded structure is designed to reach to a high performance.
- Supplied with an internal hexagonal insert in the collar of the sleeve.
- Dimensional matches to the popular applications in the market.
- Max RPM: 9000 rpm

产品编码	型号	D	D1	D2	D3	D4	D5	M	L	L1	N
G012 05320	EIBL2 40/60x96	40	60	120	75	79	104	M6	96	58.5	6

ID No.	Type
G901 01111	Adjust Ring 93x70x9
G901 01115	Stop Ring 98x88x2
G901 01110	V Shape Spring





Hydro-Lock Sleeves Type EICL2

--- Pressurized with the allen T-wrench

Application:

The EIC type Hydro-Lock Sleeve is designed for interchangeable tool assembly and machines with hexagonal spindle profile.

Features:

- Welded structure is designed to reach to a high performance.
- Supplied with an internal hexagonal insert in the collar of the sleeve.
- Dimensional matches to the popular applications in the market.
- Max RPM: 9000 rpm

ID No.	Type	D	D1	D2	D3	D4	D5	M	L	L1	N
G012 05321	EICL2 40/60x94-75	40	60	120	75	90	6.5	M6	94	54.5	6